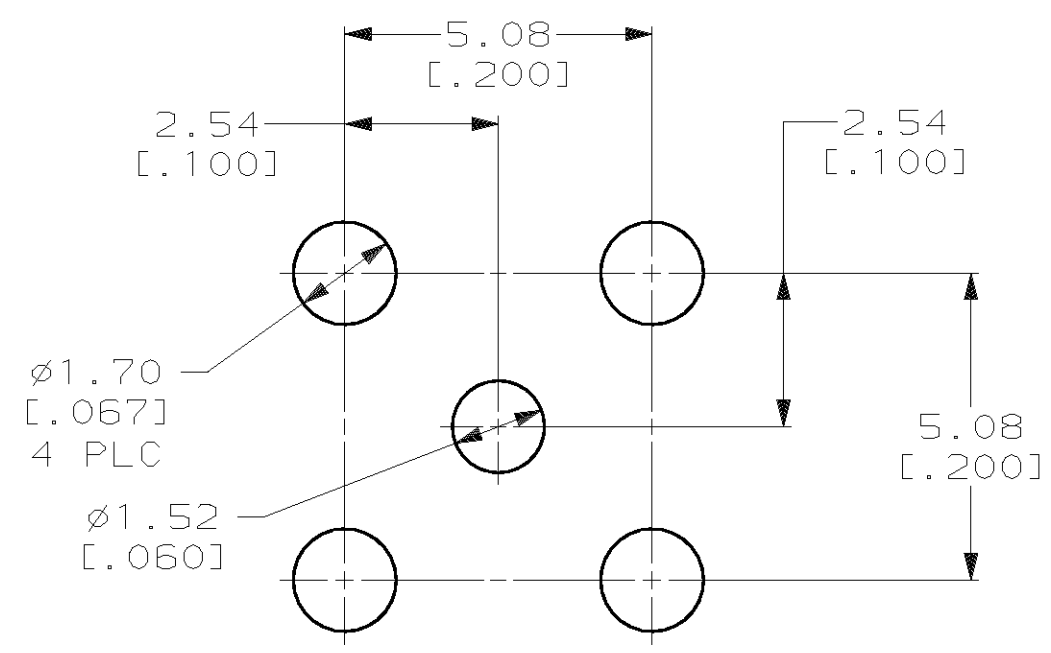
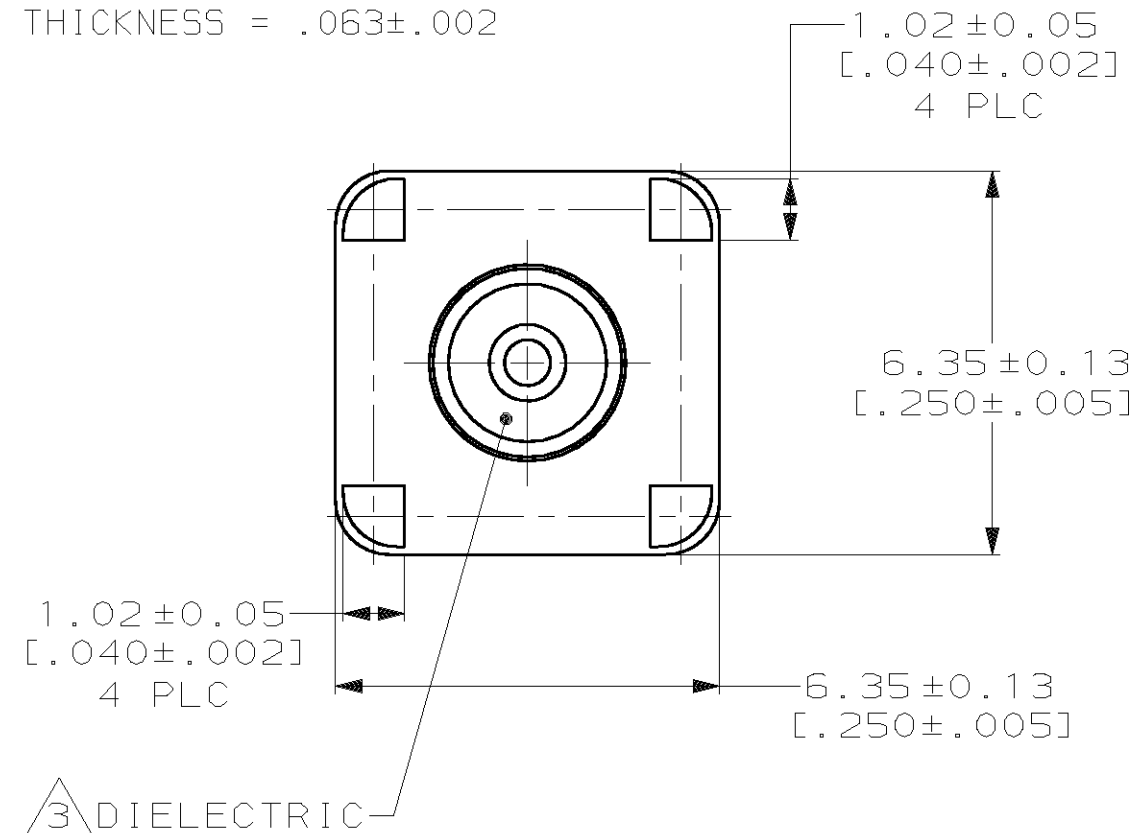
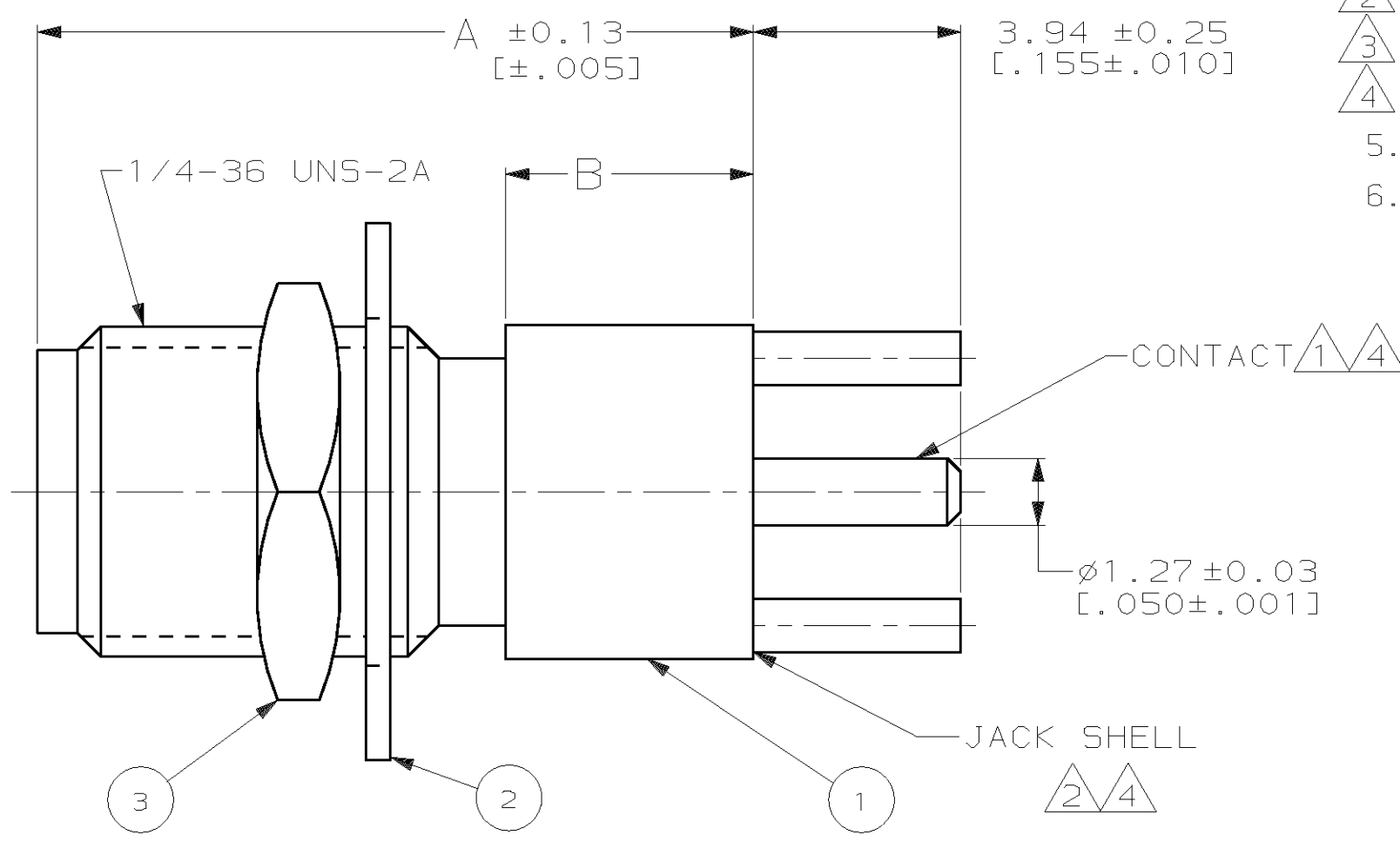


THIS DRAWING IS UNPUBLISHED. RELEASED FOR PUBLICATION ,19 .  
 © COPYRIGHT 19 BY AMP INCORPORATED. ALL RIGHTS RESERVED.

LOC	DIST	REVISIONS			
P	LTR	DESCRIPTION	DATE	DWN	APVD
AJ	16	B	REL -2 PER 0E10-0187-99	18MAY99	MO BM

- 1 BERYLLIUM COPPER PER ASTM-B-197.
- 2 BRASS PER ASTM-B-16.
- 3 TEFLON, PTFE, PER ASTM-D-1710.
- 4 GOLD PLATE PER MIL-G-45204.
- 5. PANEL MOUNTING HOLE = .256±.002 DIA.
- 6. PANEL THICKNESS = .063±.002



RECOMMENDED PCB CONFIGURATION

5.71 [.225]	15.87 [.625]	2-332004-0	1-22145-3	1274102-2	1274061-2
4.70 [.185]	13.84 [.545]	2-332004-0	1-22145-3	1274102-1	1274061-1
B	A	3 JAMNUT QTY=1	2 LOCKWASHER QTY=1	1 JACK SUB-ASSY QTY=1	PART NUMBER

THIS DRAWING IS A CONTROLLED DOCUMENT.		DWN M. OBRINE 01SEP98	AMP Incorporated Harrisburg, PA 17105-3608
DIMENSIONS: IN		CHK J. CABARLO 01SEP98	
TOLERANCES UNLESS OTHERWISE SPECIFIED:		APVD J. CABARLO 01SEP98	NAME JACK, VERTICAL PCB, SMA SERIES
0 PLC ±- 1 PLC ±- 2 PLC ±0.08 [.003] 3 PLC ±- 4 PLC ±- ANGLES ±-		PRODUCT SPEC -	SIZE A3
MATERIAL -		APPLICATION SPEC -	CAGE CODE 00779
FINISH -		WEIGHT -	DRAWING NO C-1274061
CUSTOMER DRAWING			SCALE 8:1 SHEET 1 OF 1 REV B